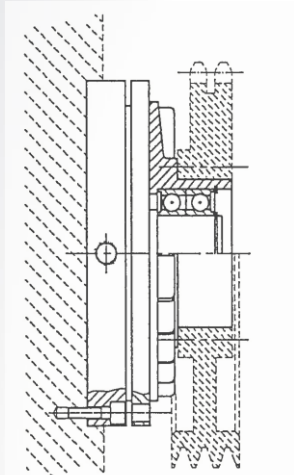


# HIGH SENSITIVITY

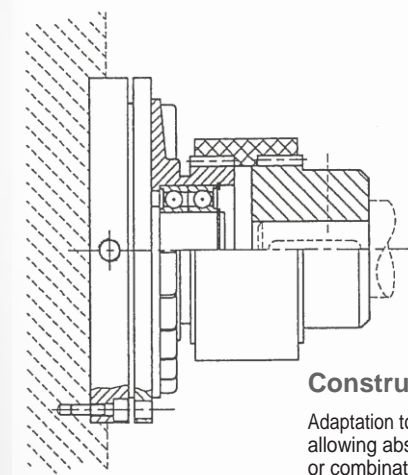
## ASSEMBLY EXAMPLES



### Construction 1

Above: adaptation chain sprocket.  
Below: adaptation pulley.

Figure 1



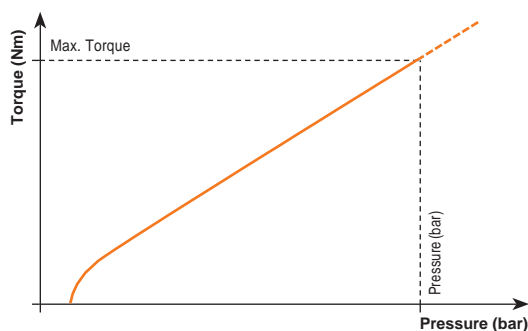
### Construction 2

Adaptation to a shaft with elastic coupling, allowing absorb slight angular, linear or combination of both.

Figure 2

## CHARACTERISTIC CURVE

Torque according to the working pressure.



## PNEUMATIC BRAKES Type FNC

### Description

The FNC type pneumatic brakes are characterized by high sensitivity response. As radial air feed, not rotary air intake leads.

The braking torque is proportional to the air pressure, so that said pressure regulating adequately great control over the torque absorbed by the brake.

It is incorporated into the rotor by two bearings set. Under **construction 1** has a cylindrical area with axially threaded holes to facilitate the incorporation of a sprocket, pulley, etc. And **construction 2** incorporates a flexible coupling which allows to be attached to a shaft with small misalignments.

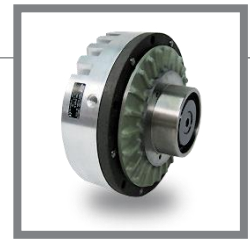
### Characteristics

- High sensitivity.
- Proportion to the pressure.
- Low inertia.
- Good heat dissipation.
- Reduced weight.
- Axes in different position.

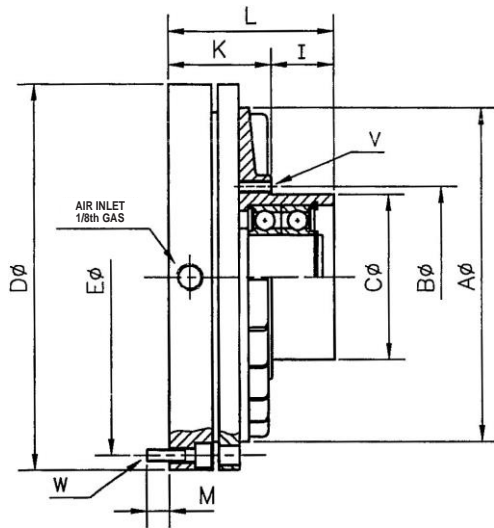
### Applications

- Control Systems band tension.
- Unwinder for the paper industry, plastics, textile, printing, etc.

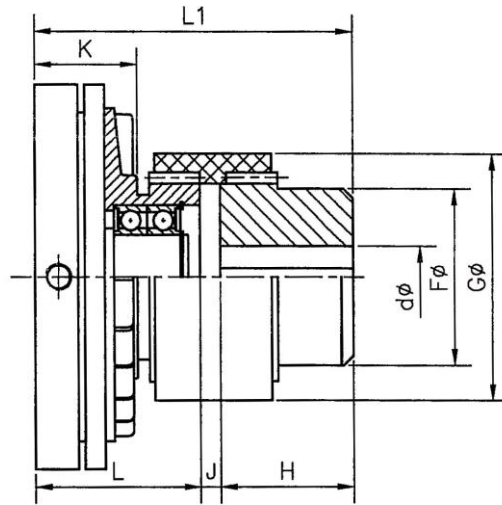
# HIGH SENSITIVITY PNEUMATIC BRAKES Type FNC



## Characteristics and dimensions



Construction 1



Construction 2

SIZE		150	180	210	252	305	368
Max torque at 6 bar	<b>Nm</b>	45	85	160	300	650	1100
Power dissipated n = 500	<b>W</b>	100	180	350	680	1300	2600
Max rpm	<b>n</b>	3.000	2.500	2.150	1.800	1.500	1.200
J-momentum inertia (construction 1)	<b>kg cm<sup>2</sup></b>	7	17	38	105	320	450
Mass (construction 1)	<b>kg</b>	2,9	5,2	8,5	13,5	23	34
Mass (construction 2)	<b>kg</b>	4,5	8	12,5	21	32	54
	<b>A</b>	120	150	180	216	265	320
	<b>B</b>	72	85	98	115	132	160
	<b>C</b>	62	74	87	102	115	140
	<b>D</b>	150	180	210	252	305	368
	<b>∅ max. d</b>	34	42	50	60	70	85
	<b>E</b>	135	165	195	235	285	345
	<b>F</b>	55	78	92	108	123	150
	<b>G</b>	95	120	135	155	173	210
	<b>H</b>	50	65	80	100	110	130
	<b>I</b>	26	26	30	32	34	40
	<b>J</b>	4,5	4,5	5	6	6,5	7,5
	<b>K</b>	51	58	80	74	74	88
	<b>L</b>	77	84	110	106	108	128
	<b>L1</b>	131,5	154,5	194,5	212,5	222,5	266
	<b>M</b>	10	10	10	15	18	20
	<b>V</b>	6 x M5	6 x M6	6 x M6	6 x M8	6 x M10	6 x M12
	<b>W</b>	3 x M6	3 x M6	3 x M6	3 x M8	3 x M10	3 x M12

